

R/F

13/F

FIXED FIRE PUMP CONTROL PANEL  
 DUTY FIXED FIRE PUMP & STANDBY  
 FIXED FIRE PUMP STATUS SHOULD  
 BE DISPLAYED ON FIXED FIRE PUMP  
 CONTROL PANEL ON 12/F AND  
 REPEATED TO F.S.CONTROL PANEL ON  
 G/F

- POWER SUPPLY ON
- PUMP FAILED
- PUMP RUNNING

12/F

11/F

10/F

9/F

8/F

7/F

6/F

OPERATION OF THE  
 FIXED FIRE PUMP  
 BY ACTUATION OF  
 ANY MANUAL FIRE  
 ALARM CALL  
 POINTS

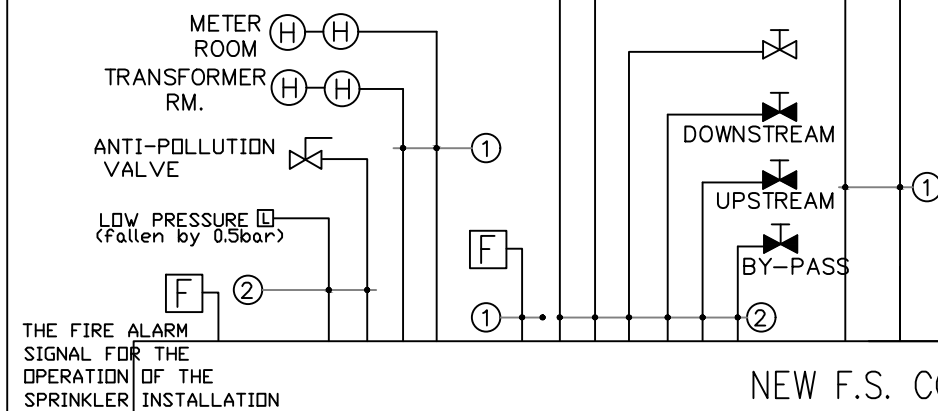
5/F

4/F

3/F

2/F

1/F



NEW F.S. CONTROL PANEL

FS WATER UPFEED PUMP CONTROL PANEL  
 FS WATER UPFEED DUTY & STANDBY  
 PUMP STATUS SIGNAL

- POWER SUPPLY ON
- PUMP FAILED
- PUMP RUNNING


DIRECT TELEPHONE LINE TO FSCC OF FSD

RECHARGEABLE BATTERY WITH AUTOCHARGER  
 220V AC POWER SUPPLY WITH SECONDARY SUPPLY SOURCE

G/F

# SCHEMATIC CONTROL WIRING DIAGRAM FOR F.S CONTROL SYSTEM

CABLE SCHEDULE	
①	2 X 1.5 mm <sup>2</sup> 1/C FIRE RESISTING CABLE TO BS 6387 CAT.CWZ/AWZ/SWX
②	2 X 1.5 mm <sup>2</sup> 1/C PVC CABLE
③	2 X 2.5 mm <sup>2</sup> 1/C FIRE RESISTING CABLE TO BS 6387 CAT.CWZ/AWZ/SWX

FSI CONTRACTOR:	
 GLOBAL ENG CONSULTANTS LTD ROOM 902, 9/F, SILICON TOWER, 88 LARCH STREET, TAI KOK TSUI, KLN. Email: globalconhk@gmail.com Tel: 31881924 Fax: 31862946	
PROJECT:	
TITLE: SCHEMATIC CONTROL WIRING DIAGRAM FOR F.S CONTROL SYSTEM	
SCALE: NOT TO SCALE @A3	DRAWN BY: K.H.
DATE: 30-01-2020	DESIGNED BY: T.W.
DWG. NO: FS/04	CHECKED BY: T.W.
CONTRACT NO.:	SHEET:
REVISION:	A